

# Entertainer E24

In this documentation you will find information about:

- Description
- Placement
- Maintenance
- Connections
- Options
- Dynamic Damping Control
- Technical specifications

## Description

The E24 is a full-range cabinet, with a single SA1205 long excursion 12" woofer in combination with an SA8535 Ribbon Compact Driver, recommended for applications where medium output, high quality reinforcement is needed.

## Placement

Mounting of the E24 can be done in three ways. You can fly the E24 by using the small Uni-Rig™ flying points. You can mount it with the FRK-bracket or with an Omnimount™. If you use the small flying system there must be a space of minimal 7cm (2.7") between the E24 and the wall (for dimensions, see back). If you don't want to use the mounting options then fill the unused holes in the E24 with the plastic caps.

## Maintenance

Maintenance on the E24, especially on the drivers and filters, is best left to official Stage Accompany service personnel. However, cleaning of the cabinet can easily be done by yourself with a damp lint-free cloth.

## Connections

The E24 has two SpeakON NL4 connectors and one spring-terminal connector for connecting separate wires.

(Caution: when linking, make sure nominal impedance stays within amplifier specification!).

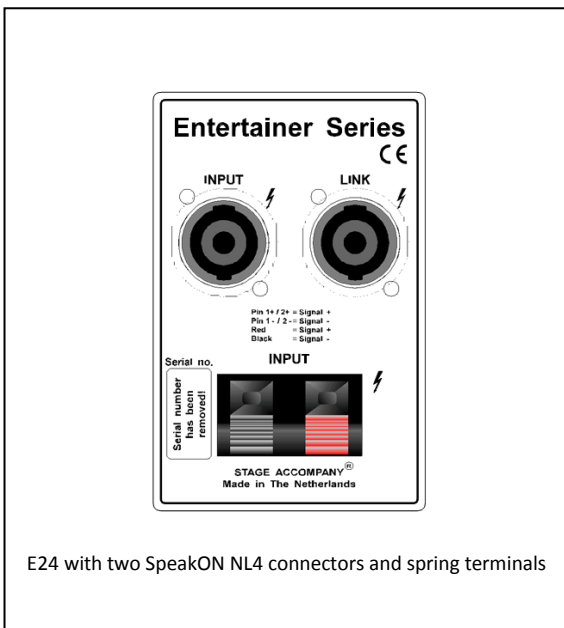
When using the spring-terminals, be aware of the right polarity (see connector panel).

## Options

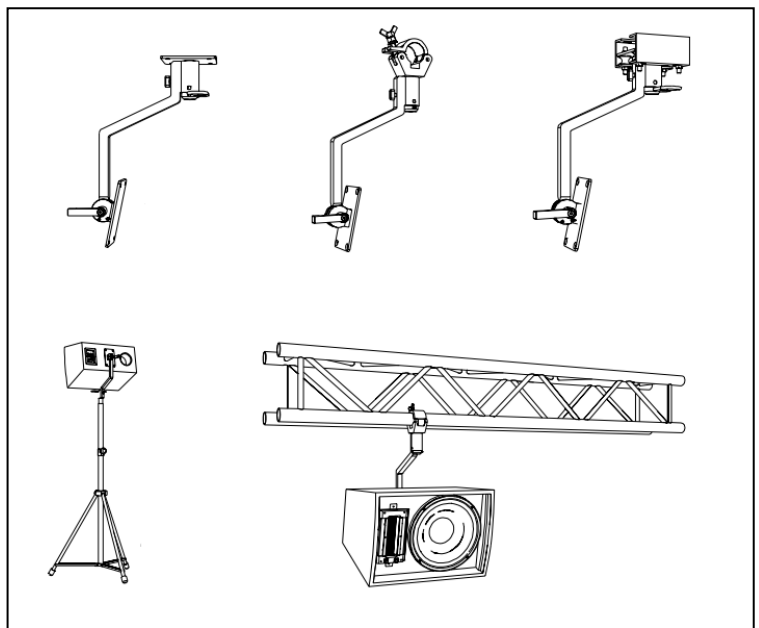
The E24 is standard finished in SA Black Protecture, but is also available in any possible RAL color (Multi Color Option).

A small Uni-Rig™ flying system can be added.

The accompanying "fly-ware" can be ordered at your local dealer.

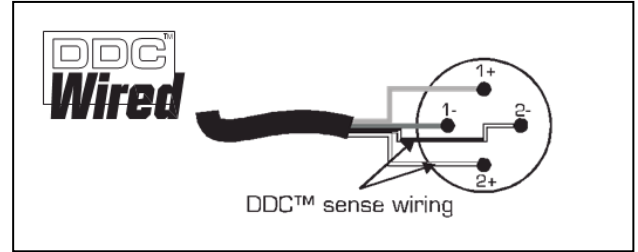


E24 with two SpeakON NL4 connectors and spring terminals



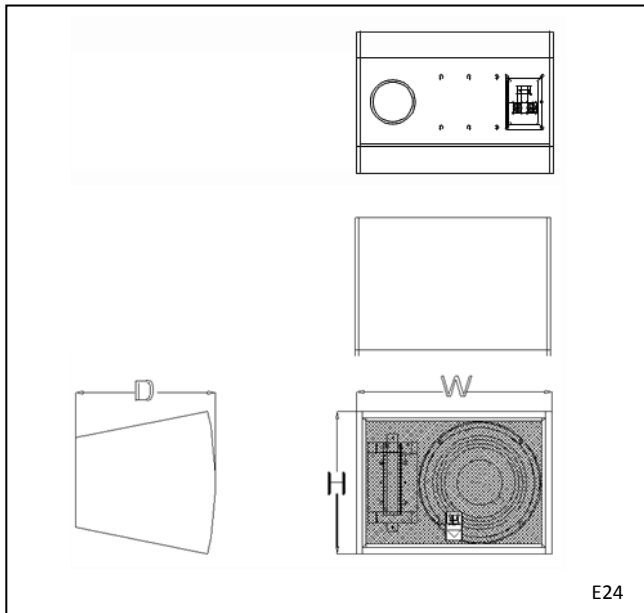
## Wiring for DDC™

For absolute top quality sound reproduction, the E24 is equipped with Dynamic Damping Control™. The DDC™ system is based on two loudspeaker wires that return from the speaker to the (SA) amplifier. The picture on the right shows the wiring of a SpeakON NL4 connector in combination with the DDC™ system.



## Technical specifications

Frequency response	: 58Hz – 30kHz (+/- 3dB)
Transducers	: 1 x SA1205, 12" LF driver 1 x SA8535, neodymium HF driver
Cross-over frequency	: 1400Hz
Nominal impedance	: 8Ω
Sensitivity @ 1W/1m	: 95dB
Max. RMS power	: 400W
Max. Peak power	: 1000W
SPL program/peak	: 121dB/125dB
Coverage angles (@ 2kHz H x V)	: 90° x 70°
Enclosure construction	: 15mm Birch plywood, Protecture finish
Front	: expanded steel with acoustic transparent cloth
Color	: SA Black, other colors on request
Connectors	: 2 x SpeakOn NL4 (linked), 1 x spring-terminal
Physical dimensions (H x W x D)	: 360mm x 495mm x 354mm (14.2" x 19.5" x 13.9")
Weight	: 23.5kg (51.8lb)
Warranty	: 5 years limited (1 year on 'moving parts')



Stage Accompany bv  
Haven 28  
2984 BR Ridderkerk  
The Netherlands  
Tel: 31 (0)180 426225  
Fax: 31 (0)180 421831  
E-mail: info@StageAccompany.com

Copyright 2013 Stage Accompany bv .

The information in this document is continually being developed. Whilst every effort has been made to make it as accurate as possible, no warranty of accuracy is made or implied by the makers. Stage accompany shall have neither liability, nor responsibility to any person or entity with the respect to loss or damages in connection with or arising from the information contained in this document

***That's How Music Should Sound!***