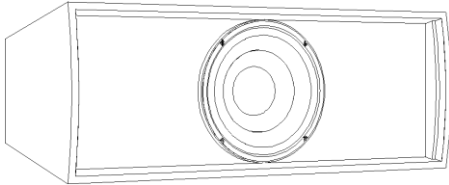


Multi Color
Option™

DDC
Wired



Entertainer B12

In this documentation you will find information about:

- Description
- Placement
- Maintenance
- Connections
- Options
- Dynamic Damping Control
- Technical specifications

Description

The B12 is a bass cabinet with a single SA1205 long excursion 12" woofer, recommended for applications where medium output, high quality reinforcement is needed.

Try this one if you like a decent low end and don't want subs on the floor, this unit will solve your problem stylishly.

Placement

Mounting of the B12 can be done in three ways. You can fly the B12 by using the small Uni-Rig™ flying points. You can mount it with the FRK-bracket or with an Omnimount™. If you use the small flying system there must be a space of minimal 7cm (2.7") between the B12 and the wall (for dimensions, see back). If you don't want to use the mounting options then fill the unused holes in the B12 with the plastic caps.

Maintenance

Maintenance on the B12, especially on the drivers, is best left to official Stage Accompany service personnel.

However, cleaning of the cabinet can easily be done by yourself with a damp lint-free cloth.

Connections

The B12 has two SpeakON NL4 connectors and one spring-terminal connector for connecting separate wires.

(Caution: when linking, make sure nominal impedance stays within amplifier specification!).

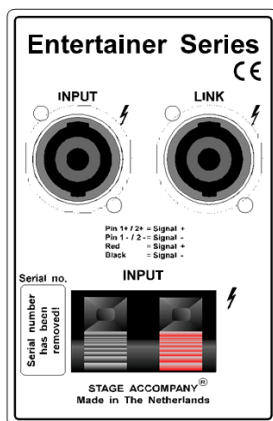
When using the spring-terminals, be aware of the right polarity (see connector panel).

Options

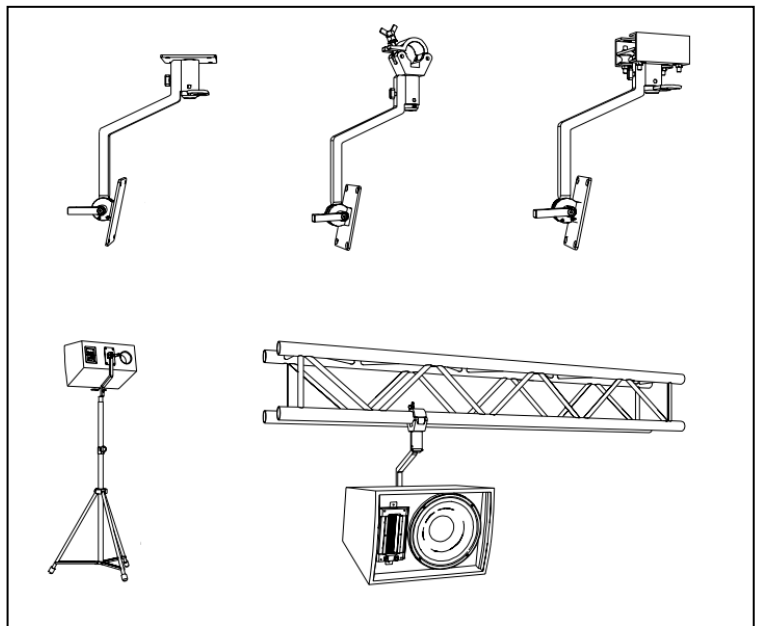
The B12 is standard finished in SA Black Protecture, but is also available in any possible RAL color (Multi Color Option).

A small Uni-Rig™ flying system can be added.

The accompanying "fly-ware" can be ordered at your local dealer.

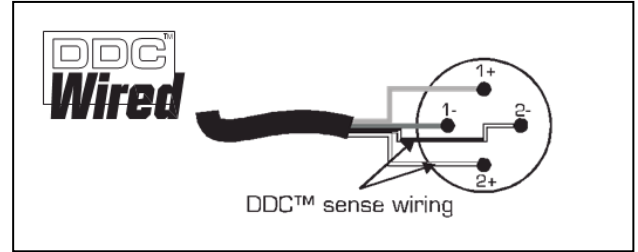


B12 with two SpeakON NL4 connectors and spring terminals



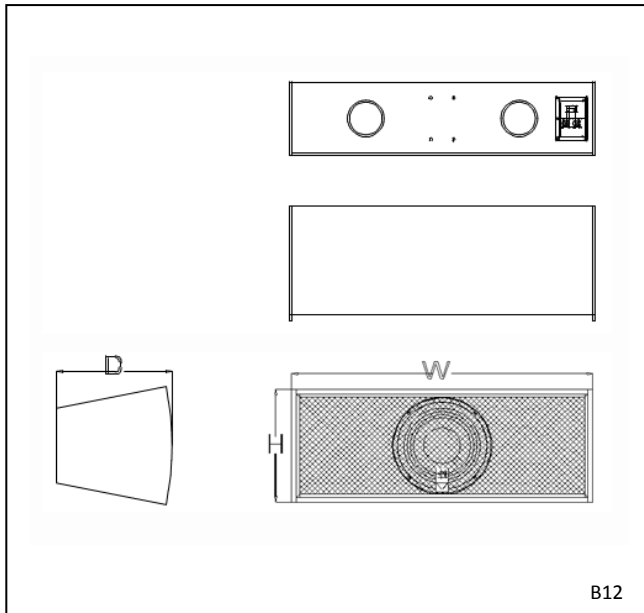
Wiring for DDC™

For absolute top quality sound reproduction, the B12 is equipped with Dynamic Damping Control™. The DDC™ system is based on two loudspeaker wires that return from the speaker to the (SA) amplifier. The picture on the right shows the wiring of a SpeakON NL4 connector in combination with the DDC™ system.



Technical specifications

Frequency response	: 38Hz – 100Hz (+/- 3dB)
Transducers	: 1x SA1205, 12" LF driver
Recommended cross-over frequency	: 70 - 100Hz
Nominal impedance	: 8Ω
Sensitivity @ 1W/1m	: 93dB
Max. RMS power	: 400W
Max. Peak power	: 1000W
SPL program/peak	: 119dB/123dB
Enclosure construction	: 15mm Birch plywood, Protecture finish
Front	: expanded steel with acoustic transparent cloth
Color	: SA Black, other colors on request
Connectors	: 2 x SpeakOn NL4 (linked), 1 x spring-terminal
Physical dimensions (H x W x D)	: 360mm x 938mm x 354mm (17.2" x 23.9" x 13.3")
Weight	: 32.5kg (71.7lb)
Warranty	: 5 years limited (1 year on 'moving parts')



Stage Company bv
Haven 28
2984 BR Ridderkerk
The Netherlands
Tel: 31 (0)180 426225
Fax: 31 (0)180 421831
E-mail: info@StageCompany.com

Copyright 2013 Stage Company bv .
The information in this document is continually being developed. Whilst every effort has been made to make it as accurate as possible, no warranty of accuracy is made or implied by the makers. Stage company shall have neither liability, nor responsibility to any person or entity with the respect to loss or damages in connection with or arising from the information contained in this document

That's How Music Should Sound!