

# Screen S26

In this documentation you will find information about:

- Description
- Placement
- Maintenance
- Active / passive version
- Connections
- Mounting system
- Options
- Dynamic Damping Control
- Technical specification

## Description

The S26 is a full-range cinema front system, with double SA1203 soft-suspension 12" speakers with 4" voice-coils, in combination with a SA8535 Ribbon Compact Driver, mounted in an ultra-slim sized MDF/birch cabinet. The S26 is recommended for applications where high output, high quality cinema sound reinforcement is needed.

Note: Due to the placement of the components in the cabinet, the S26 system is completely time-aligned and does not need any delay correction.

## Placement

The Super Space Saving design enables the S26 to be flown behind the screen with a minimum of space required. Mounting is done by attaching cable or chain to two shoulder eyebolts, which are located on the front of the cabinet. Placing the S26 on a platform is not possible because of the bass reflex vents, which are located on the top and bottom of the cabinet.

## Maintenance

Maintenance on the S26, especially on the drivers and filters, is best left to official Stage Accompany service personnel. However, cleaning of the cabinet can easily be done by yourself with a damp lint-free cloth.

## Active / passive version

The S26 is available with active (bi-amp) or passive (single-amp) filtering. Please specify when ordering.

## Connections

The S26 passive version uses one SpeakON NL4 connector ("input"), the active version of the S26 uses two SpeakON NL4 connectors ("low", "high").

Caution!; Incorrect connection with a S26 in bi-amp version can cause damage to the loudspeaker components!

## Mounting system

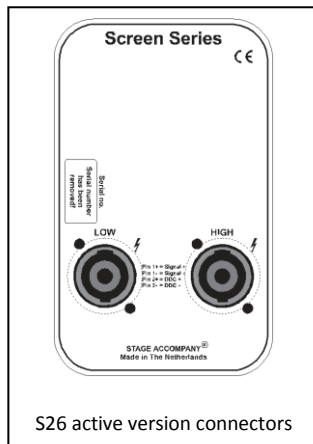
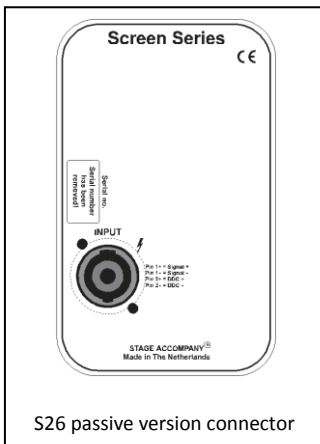
Mounting is done by attaching steel cable or chain to the two shoulder eyebolts, which are located on the front of the cabinet. The steel cables or chains can be lowered from the screen frame or ceiling. When mounting the cabinet in a very tight space, utilizing a pulley-hoist makes mounting easy. A third flying point is located on the lower back side of the cabinet, to enable tilting of the cabinet when necessary.

Caution! Before mounting, make sure the construction stays within working load limits!

For optimum performance, it is recommended to mount the S26 as close to the screen as possible (screen distance 2.5cm/1").

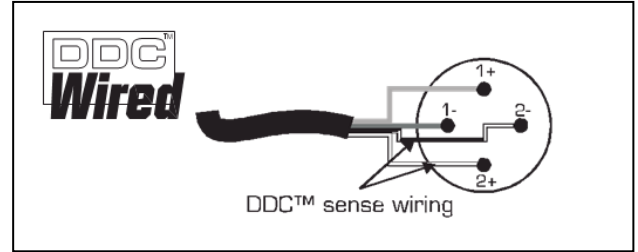
## Options

The S26 is standard finished in SA Black Protecture, but is also available in any possible RAL color (Multi Color Option™).



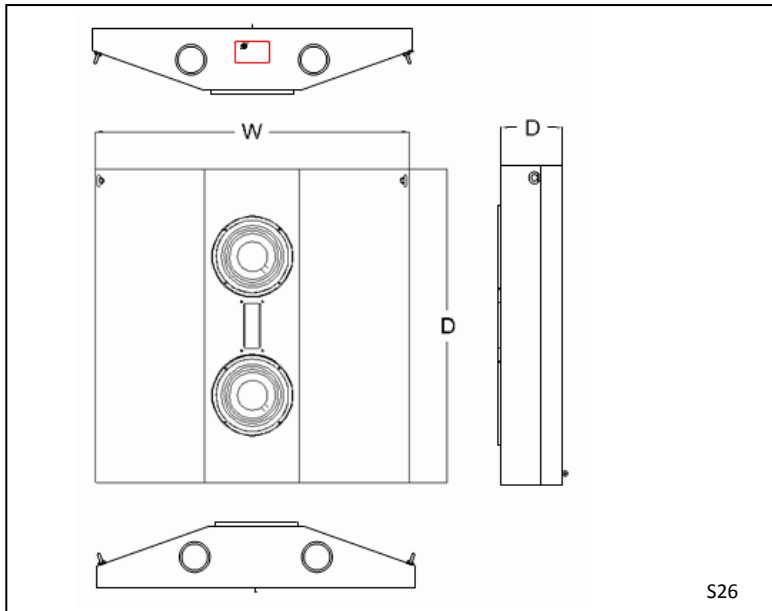
## Wiring for DDC™

For absolute top quality sound reproduction, the S26 is equipped with Dynamic Damping Control™. The DDC™ system is based on two loudspeaker wires that return from the speaker to the (SA) amplifier. The picture on the right shows the wiring of a SpeakON NL4 connector in combination with the DDC™ system.



## Technical specifications

Frequency response	: 35Hz – 30kHz (+/- 3dB)
Transducers	: 2 x SA1203, 12" LF driver 1 x SA8535, neodymium HF driver
Cross-over frequency	: 1400Hz
Nominal impedance	: 4Ω (passive), 4Ω LF (active), 13Ω HF (active)
Sensitivity @ 1W/1m	: 97dB (passive), 97dB LF (active), 103dB HF (active)
Max. RMS/Peak power (passive version)	: 800W/2000W
Max. RMS/Peak power (active version)	: 800W/2000W LF, 60W/1000W HF
SPL program/peak	: 126dB/130dB (passive), 126/130dB LF (active), 121/131dB HF (active)
Coverage angles (@ 2kHz H x V)	: 100° x 40°
Enclosure construction	: 15mm MDF, Protecture finish
Color	: SA Black, other colors on request
Connectors (passive version)	: 1 x SpeakOn NL4
Connectors (active version)	: 1 x SpeakOn NL4, 1 x Low / 1 x High
Physical dimensions (H x W x D)	: 1200mm x 1200mm x 230mm (47.2" x 47.2" x 9.1")
Weight	: 73.8kg (162.7lb)
Warranty	: 5 years limited (1 year on 'moving parts')



Stage Accompany bv  
Haven 28  
2984 BR Ridderkerk  
The Netherlands  
Tel: 31 (0)180 426225  
Fax: 31 (0)180 421831  
E-mail: info@StageAccompany.com

Copyright 2013 Stage Accompany bv .  
The information in this document is continually being developed. Whilst every effort has been made to make it as accurate as possible, no warranty of accuracy is made or implied by the makers. Stage accompany shall have neither liability, nor responsibility to any person or entity with the respect to loss or damages in connection with or arising from the information contained in this document

***That's How Music Should Sound!***